

➤ **FEATURES AT A GLANCE**



- **Clear and reliable long range analog and digital communications**
- **Versatile for mobile, base and complex systems deployments**
- **Exceptional digital and analog voice clarity**
- **Future proof software-defined architecture**
- **IP/Ethernet/USB connectivity**
- **Intuitive colour, multi-lingual graphical user interface**
- **Unparalleled RF performance**
- **Integrated, encrypted data capability**
- **Standards-based**
 - CCIR 493-4 Selcall
 - FED-STD-1045 / MIL-STD-188-141B ALE
 - MIL-STD-188-110A/B (STANAG 4539) Data
 - MELPe (STANAG 4591) / Codan Digital Voice
 - AES-256 / CES-128 Encryption

Codan's Envoy HF Radio delivers dependable, clear, trouble-free voice, messaging and data communications, without dependence on existing infrastructure. Now with Codan's second generation Digital Voice technology, Envoy provides outstanding voice clarity in conditions where competing HF radios fail.

EXCEPTIONAL DIGITAL AND ANALOG VOICE CLARITY

Codan's second generation Digital Voice (DV) technology provides a quantum leap in voice communications. It completely eliminates the hiss, crackle, pops, and multipath effects typical of HF. The vocoders used provide voice quality experience that is similar to cellular phones, and the modem technology ensures continued operation in degraded and fading channels.



When analog SSB mode is needed, Envoy's patented *Easitalk™* DSP algorithm works to actively remove background noise and interfering ones. During transmission, Codan's TalkPower feature dynamically compresses and shapes the frequency response of the voice signal to maximise transmit power and intelligibility. A syllabic squelch only opens the speaker mute when speech signals are present to eliminate background noise.

SOFTWARE-DEFINED ARCHITECTURE

Envoy uses latest-generation high-performance Digital Signal Processor (DSP), Field-Programmable Gate Array (FPGA) and microprocessor technology. This provides market-leading performance and future upgradability through software updates to install new capabilities and support evolving standards.

IP / ETHERNET / USB CONNECTIVITY

Envoy IP / Ethernet connectivity enables centralised programming, maintenance and operation of network connected stations. Envoy handsets and consoles include USB ports for convenient programming and maintenance via conventional USB cable connection or via attached memory stick.

QUICK DEPLOYMENT AND INTUITIVE OPERATION

Envoy start-up wizard guides the installer through entry of frequencies, calling system set-up, contacts and peripherals. Alternatively, Codan's Windows-based TPS-3250 Radio programming software can be used to build profiles, which can be conveniently deployed via direct connection, IP or USB memory stick. Once profiled, Envoy can be easily locked down using an administrator PIN, ensuring important settings are not tampered with.

Envoy's large high-resolution, sunlight-readable colour display, and intuitive menu system makes operation similar to modern smartphones. Making calls is as simple as navigating to your contact list, locating the desired contact and pressing the "call" button. Other common actions are supported through customisable hotkeys for single or multiple step operations.

For optimal user safety, Envoy includes a dedicated Emergency key. This can be configured to automatically contact one or more stations, embedding the Envoy's GPS coordinates into the emergency signal.

To minimise training burden for non-English speaking users, Envoy's user interface is also made available in a variety of other languages.

UNPARALLELED RF PERFORMANCE

Envoy's strong RF performance is paramount to effective long range communications. Unlike many Software-Defined Radios, Envoy provides specifications superior or equal to high-end analog products. For example, to maximise range, receiver sensitivity is a massive -125 dBm, and blocking is greater than 100 dB, minimising chances of interference from adjacent stations. Envoy's transmitter is also extremely clean, with carrier, spurious and harmonics more than 65 dB below PEP. Envoy also

supports connection of dual antennas for short and long range propagation.

ALE AND SELCALL CALLING CAPABILITY

Envoy supports current calling standards including CCIR compliant Selcall, FED-STD-1045 Automatic Link Establishment (ALE) and MIL-STD-188-141B ALE. Envoy enables concurrent operation of different calling systems, and automatically optimises channel scan times. This ensures full interoperability with earlier generation Codan, competitor and legacy radios.

Selcall provides the capability to voice or message call an individual radio, group of radios, or broadcast to all radios. ALE also provides these capabilities, plus built-in intelligence to automatically select the optimum channel (frequency) to ensure the best chance of linking and the clearest signal. The MIL-STD ALE option adds NET calling (similar to Talkgroups), on-air Link Quality Assessment (LQA) exchange, and advanced addressing types.

Envoy's ALE also includes Codan Automated Link Management (CALM™). This technology is fully compatible with conventional standards-based ALE, but includes significant proprietary enhancements to improve performance. As an example, ALE LQA is internally recorded in a three-dimensional matrix against time. This results in far reduced on-air soundings and improved probability of linking. CALM™ also includes special call types including "first-in-list" for fastest possible link, and "best-in-list" for optimised data.

INTEGRAL DATA CAPABILITY

Envoy supports MIL-STD-188-110A/B high-speed data operation up to 9600 bit/s. The modem uses interleavers, tone-excision and turbo-decoding for optimum performance in difficult channels. When combined with Codan's STANAG 5066 compliant

RC50-C Email software, email over HF can be achieved from standard SMTP/POP email clients such as Microsoft® Outlook. Emails are automatically compressed and the data rate is optimised to channel conditions.

Envoy also supports Codan's robust low-rate data modem waveform, which is compatible with our 3012 / 3212 external modems. This modem supports data operation to 2400 bit/s (typically 6000 bit/s including compression). It's available with Windows based Email / Chat software, or can be used for custom data / telemetry applications via its standards-based AT command interface.

ENCRYPTION

Envoy has a choice of encryption options to suit the required level of communications security.

For communications up to "top secret" classification, AES 256-bit security is available for both Digital Voice and data encryption, supported with up to 256 internally pre-programmed encryption keys

For voice only applications, Codan's CES-128 DSP-based encryption option is available, with up to 97 16-digit user programmable keys. An additional layer of security is provided by assigning a PIN number during a secure communications session.

Both of these options are supported by Codan's Key Management Software (KMS) application suite, which enables generation, management and deployment of keys. For convenience, keys can also be filled using a conventional USB memory stick.

For basic voice security, the CIVS option provides a 32 code DSP-based scrambler.

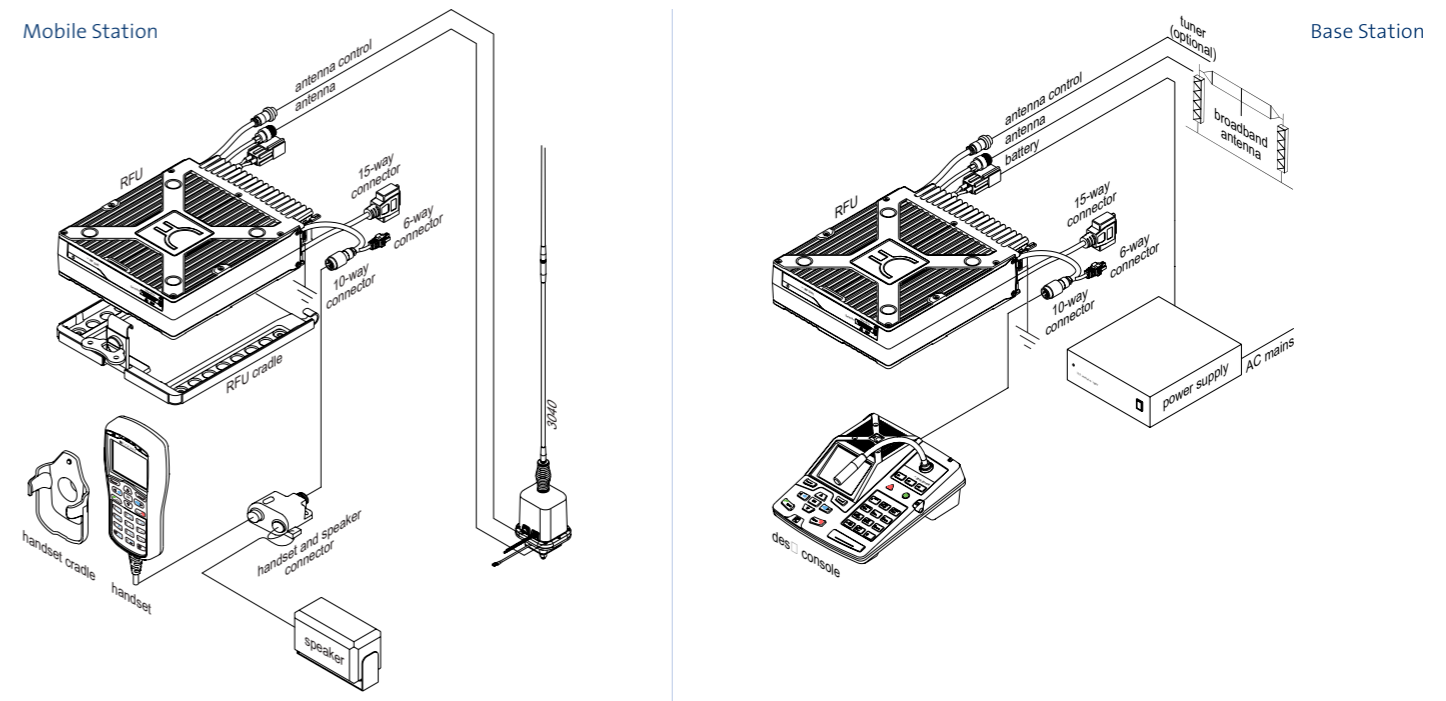
All voice encryption options for Envoy can be activated by a single hotkey, and are fully integrated with core Radio functions like Selcall and ALE scanning to ensure simplicity of operation. It is also possible to configure Envoy to automatically enable encryption on specified networks.

GPS SUPPORT

Envoy supports connection of GPS via NMEA0183 compatible GPS receivers. This enables polling and sending of GPS positions over air. Distance and bearing to other users or programmable waypoints can be displayed on an intuitive graphical display. When used with mapping software deployed mobiles vehicles can be graphically tracked.

VERSATILE DESIGN FOR MOBILE, BASE AND COMPLEX SYSTEMS

Envoy is designed using a modular approach, with a handset for mobile applications and a desk console for bases. The use of IP over Ethernet enables geographical separation of radio and console, without the need for expensive adaptor devices. Envoy can also be supplied in rapidly deployable cases.



MODELS

FEATURE	ENVOY X1	ENVOY X2
Channels / Scan groups	100 / 10	1000 / 20
Contact list entries	200	500
Accessory serial port	N/A	Standard
Data modem	N/A	Optional
ALE	FED-STD (Optional)	FED/MIL-STD (Optional)

SOFTWARE APPLICATIONS

- TPS-3250 Radio Programming Software
- Internav™ GPS Tracking
- RC50-C Email (for high-speed modem)
- UUPlus® Email (for robust low rate modem)

ACCESSORIES

- 500 W / 1 kW High Power Amplifiers
- 3040 Automatic Whip Antenna
- 3033 Telephone Interconnect
- Dual-port Antenna Selector
- Vehicle installation kit (including dash-mount)

LANGUAGE SUPPORT

- English
- Spanish
- Russian
- Dari

SPECIFICATIONS

Channels and Scanning	Up to 1000 simplex or semi-duplex. Up to 20 scan groups. Simultaneous scanning for Selcall (ALE/CCIR) and voice. Dwell time 125 ms to 9.9 s, adjustable
Contacts List	Up to 500 entries
SDR processing architecture	DSP: 456 MHz, 32-bit. FPGA: 500,000 gate. MCU: ARM9, 300 MHz, 32-bit
Interfaces	USB (via Handset or Console). Serial RS232 (supports NMEA-0183 GPS). Ethernet (TCP/IP, supports remote control). Auxiliary GPIO (audio in/out, PTT, RS232) on Envoy X2 model
Audio response	Less than 3 dB variation from 300 Hz to 3 kHz (with optional 2.7 kHz filter)
Compliance	CE, FCC, IC, AS/NZS 4770:2000, AS/NZS4355:2006
Temperature range and Humidity	-30 to +60°C; 95% RH maximum, non-condensing

RF

Frequency range	Tx: 1.6 to 30 MHz; Rx: 250 kHz to 30 MHz; Frequency stability: ±0.3 ppm from -30°C to +60°C	
Modes	Single sideband (J3E), USB, LSB, AM (H3E), CW (J2A), AFSK (J2B), F1B (FSK) (software defined)	
Output power	125 W PEP ±1 dB (two-tone or voice), user-programmable in 1 W steps (low/medium/high)	
Duty cycle	100% Voice/Data with optional Fan	
RF output impedance	50 Ω	
Filter bandwidths	2.4 kHz standard (500 Hz, 2.7 kHz, and 3 kHz optional)	
Transmitter specifications	Spurious and harmonic emissions:	Better than <69 dB below PEP
	Intermodulation products:	40 dB below PEP
	Carrier suppression:	Better than 65 dB below PEP
	Sideband suppression:	70 dB below PEP
Receiver specifications	Sensitivity:	0.12 μV, -125 dBm for 10 dB SINAD
	Selectivity:	>70 dB at -1 kHz and +4 kHz ref SCF USB
	Blocking:	>100 dB at ±50 kHz
	Image rejection:	>95 dB
	Spurious response:	>85 dB
	Intermodulation:	Unwanted signal >92 dB below desired signal
	Intercept point:	+38 dBm
Switching speed	<25 ms (Tx:Rx or Rx:Tx)	

ELECTRICAL AND MECHANICAL

Operating range	10.8 to 15 V DC (12 V Nominal)	
Supply current	Rx: 500 mA (backlight min, audio muted); Tx: Two-tone 12.5 A typical, average speech 8 A	
Protection	Over-voltage/under-voltage/over-temperature/reverse polarity	
Size and Weight	2210 RF Unit: 210 x 270 x 65 mm (8.3 x 10.6 x 2.6 in)	2.8 kg (6.2 lb)
	2220/1 Handset: 75 x 32 x 151 mm (3.0 x 1.3 x 5.9 in)	0.3 kg (0.7 lb)
	2230 Console: 190 x 228 x 79 mm (7.5 x 9.0 x 3.1 in)	1.1 kg (2.4 lb)
Ingress protection	IP43, MIL-STD-810G method 510.5	
Environmental standards	MIL-STD-810G (Dust, Shock, Vibration, Humidity, Fungus, Altitude)	

OTHER

Data modem (robust low rate)	CHIRP/QPSK, 2400 bit/s (up to 6000 bit/s using in-built compression)
Data modem (high speed)	MIL-STD-188-110A/B, STANAG 4539, 75 to 9600 bit/s
Encryption	CES-128, 97 x programmable 16-digit keys, 4-digit PIN (Voice only) AES-256, 256 x programmable 256-bit keys (Voice/Data)
Vocoder	MELPe (1200/2400 bit/s); TWELP (600/1200/2400 bit/s)

CODAN™, Envoy, *Easitalk*™, and CALM™ are trademarks of Codan Limited. Other brand, product and company names mentioned in this document are trademarks or registered trademarks of their respective holders.

Values noted are typical. Equipment descriptions and specifications subject to change without notice or obligation.

CODAN RADIO COMMUNICATIONS

12-20267-EN Issue 6 6/2014



www.codanradio.com

Australia: +61 8 8305 0528 **US:** +1 585 419 9970 **UK:** +44 1252 717 272
Canada: +1 250 382 8268 **Dubai:** +971 44 53 72 01 **sales@codanradio.com**